

Answer 1

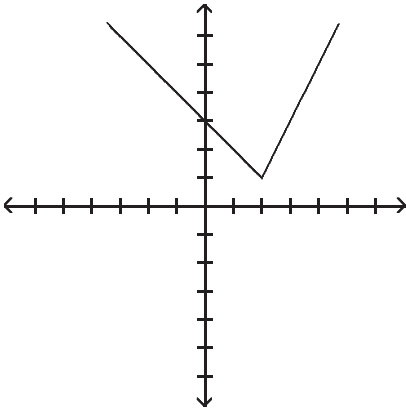
Lesson 1 / AC

B C

Answer 1

Lesson 1 / AC

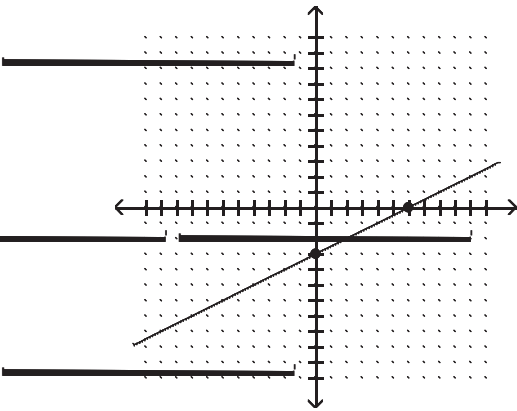
4 (" 4 (* 7 ! \$!! !
4 (" 4 (* 7 ! \$!! !
4 (" 4 (* 7 ! \$!! !
% ! \$!! * 7 ! \$!! !
A**
@\$



@\$
A**

4

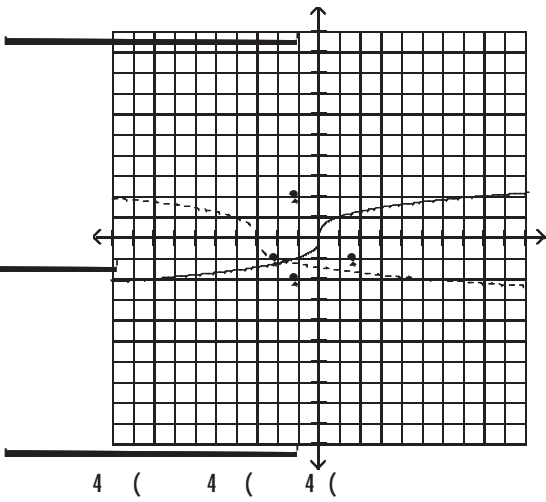
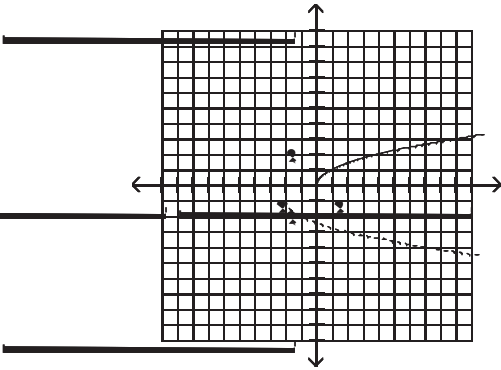
! = 4 ((4 (



--

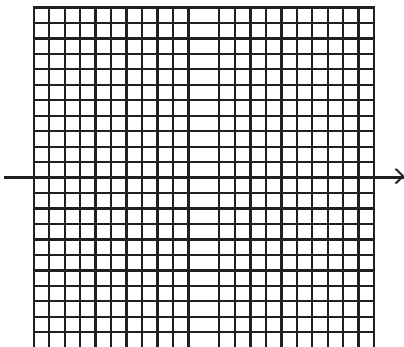
Answer 1

Lesson 1 / AC



$$\sqrt{\quad}$$

$$\% 4 \quad \sqrt{\quad}$$



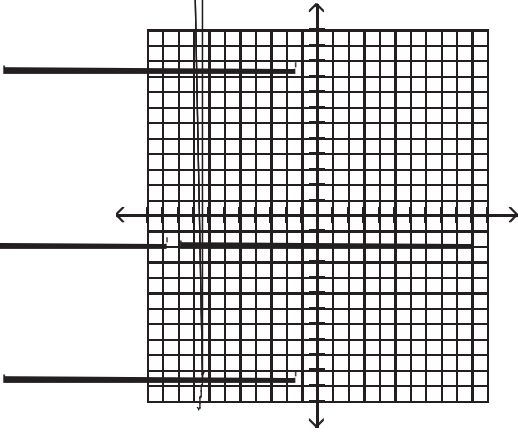
Answer 1

Lesson 1 / AC

4 (

4 4

4 ((



Answer 1

Lesson 1 / AC

